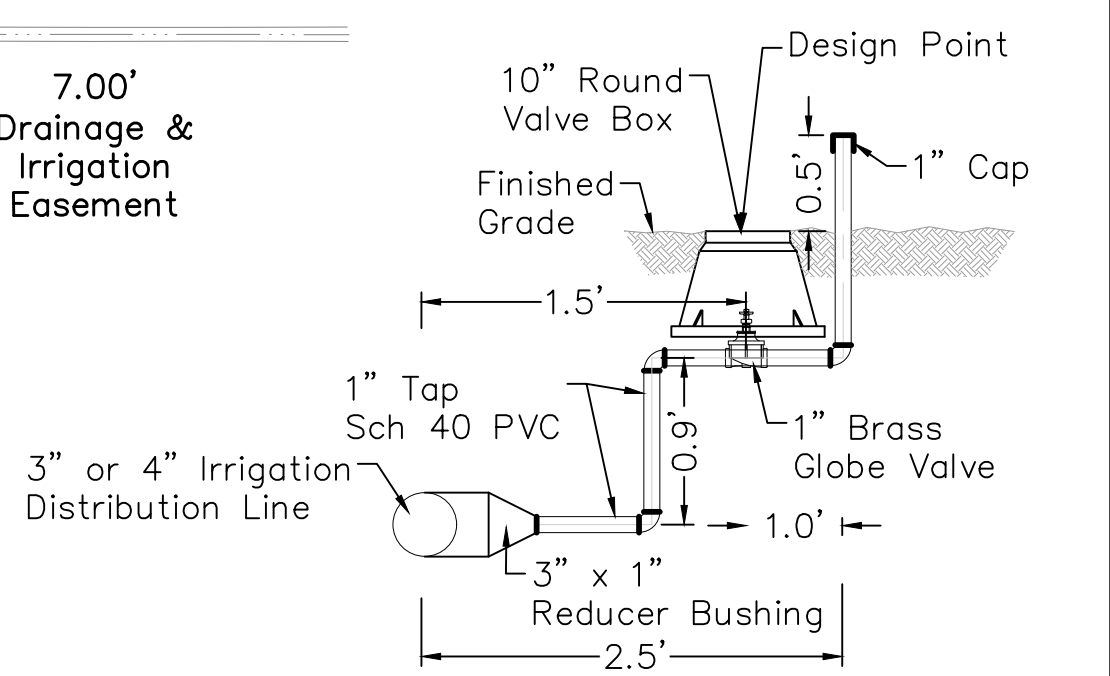
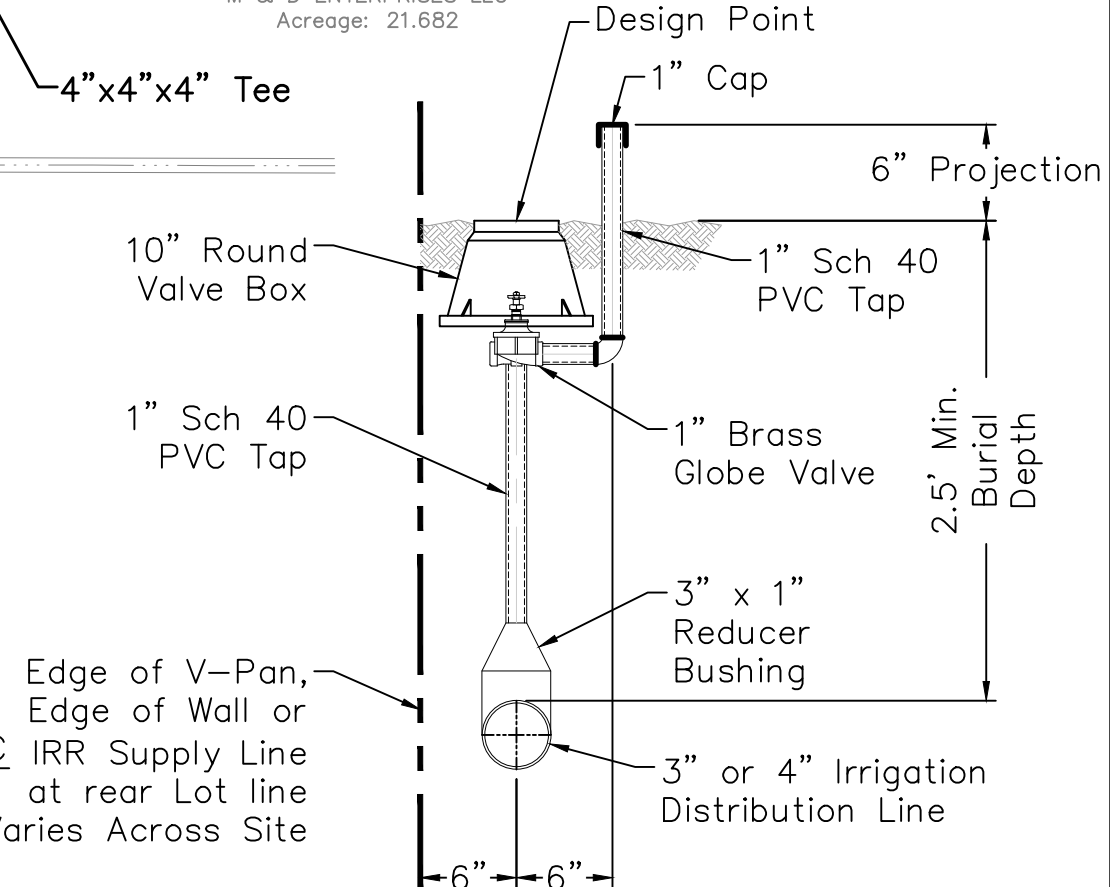
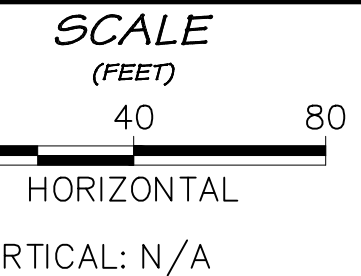


UTILITY PROVIDERS	
Water	Ute Water
Sewer	City of Fruita
Electric	Grand Valley Power
Gas	Xcel Energy
Telephone	CenturyLink
Cable	Charter Spectrum
Irrigation	Grand Valley Irrigation Co
Drainage	Grand Valley Drainage District
Fire	City of Fruita



NOTES:

1. Adjacent parcel lines are taken from the Mesa County GIS Website and are shown for reference only.
2. All IRR pipe shall be Class 100 PSI PIP unless noted otherwise.
3. Sleeves for all 4" irrigation lines shall be 8" SCH 40.
4. Storage Tank shall consist of minimum 7,000 gallons of storage. In case of emergency storage tank shall be constructed where overflow will be directed into the stormwater pond.



PROJECT PHASE: Preliminary		DATE ISSUED: 08.MAR.2023	
NO.	DATE	REVISION	BY

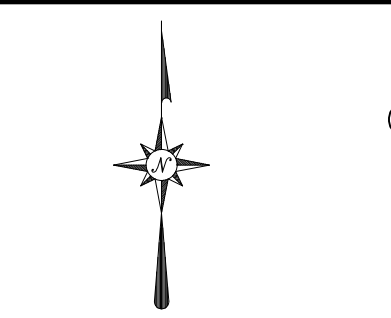
P.R.E.L.I.M.I.N.A.R.Y

RIVER CITY CONSULTANTS
 215 Pitkin Avenue, Unit 201 Phone: 970.241.4722
 Grand Junction, CO 81501 www.rcwest.com Fax: 970.241.8841
 DRAWN BY: kac PROJECT: 2060-001
 CHECKED BY: jwm
 ORIGINAL SHEET SIZE: 22 x 34

FUTURADO DEVELOPMENT LLC
 Adeles Acres Subdivision
 Irrigation Plan
 C47

811 UNCC
 Know what's below. Call before you dig.
 800.922.1987
 www.uncc.org
 CALL 2 BUSINESS DAYS IN ADVANCE BEFORE YOU DIG, GRADE, OR EXCAVATE FOR THE MARKING OF UNDERGROUND MEMBER UTILITIES.

Project Benchmark
 Found 2" Aluminum CapNE Corner
 Marked "DH SURVEYS INC"
 South of J 1/2 Road
 NORTHING: 67185.23
 EASTING: 53517.93
 ELEVATION: 4551.66
 DATUM SOURCE: MCLCS Zone "GVA" (NAVD 88)



S:\PROJECTS\2060 Futurado Development LLC\001 1024 19 Road\Design\DWG\04-Utility\2060-001 Irrigation.dwg [Irrigation] 3/20/2023 9:58:10 AM